

UNISTAR SLCI924-EX SERIES 4.7KW - 21KW

BASIC UNIT MODEL NUMBER EXAMPLE: SCLI-EX-18.0-90
 DESCRIPTION OF EXAMPLE: (MODEL EX, 18 KW, 90 MINUTE RUN TIME)
 FAMILY - MODEL - POWER RATING (WATTS/KW) - TIME (MINUTES)
 SCLI - EX - 4.7 - 90
 5.25
 7.0
 8.0
 10.0
 12.0
 14.0
 18.0 (REQUIRES SEPARATE BATTERY CABINET)
 21.0 (REQUIRES SEPARATE BATTERY CABINET)

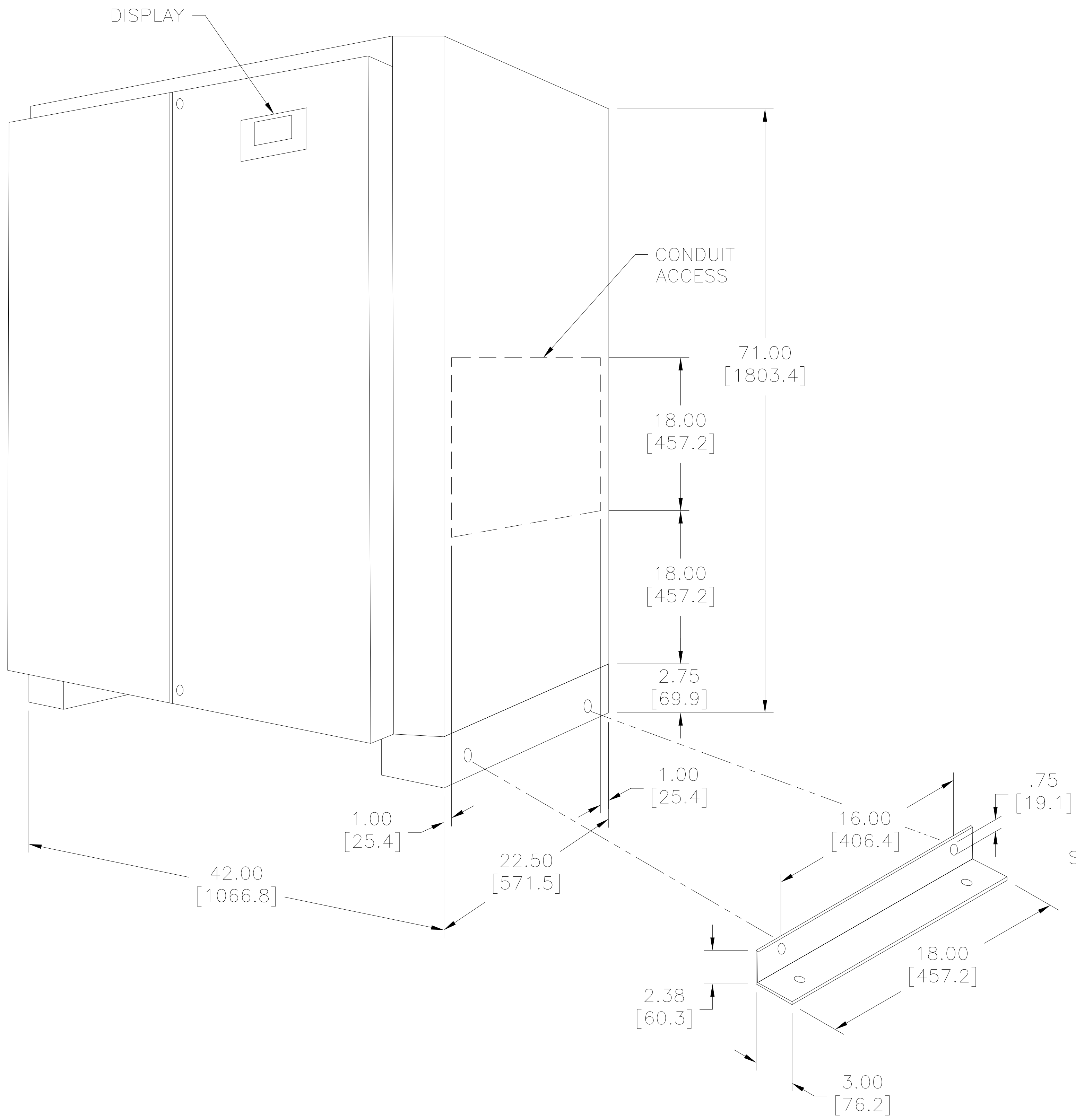
ALL OPTIONS ARE ORDERED AS SEPARATE LINE ITEM

VOLTAGE OPTIONS

INPUT/OUTPUT	INPUT/OUTPUT
120/120	240/480
120/277	240/120-240
120/480	240/120-277
120/120-240	277/120
120/120-277	277/277
208/120	277/480
208/277	277/120-240
208/480	277/120-277
208/120-240	480/120
208/120-277	480/277
240/120	480/480
240/277	480/120-240
	480/120-277


UNIT OPTIONS

- NOF1 - 120V NORMALLY OFF OUTPUT CIRCUIT (UP TO 7KW)
- NOF2 - 120V NORMALLY OFF OUTPUT CIRCUIT (8 TO 14KW)
- NOF3 - 120V NORMALLY OFF OUTPUT CIRCUIT (18 TO 21KW)
- NOF4 - 120/240V NORMALLY OFF OUTPUT CIRCUIT (UP TO 7KW)
- NOF5 - 120/240V NORMALLY OFF OUTPUT CIRCUIT (8 TO 14KW)
- NOF6 - 120/240V NORMALLY OFF OUTPUT CIRCUIT (18 TO 21KW)
- NOF7 - 277V NORMALLY OFF OUTPUT CIRCUIT (UP TO 7KW)
- NOF8 - 277V NORMALLY OFF OUTPUT CIRCUIT (8 TO 14KW)
- NOF9 - 277V NORMALLY OFF OUTPUT CIRCUIT (18 TO 21KW)
- NOH - 120V-277V NORMALLY OFF "HOLD ON"/VOLTAGE/QTY. (MUST USE NOF OPTION)
- OCB1 - 120V OUTPUT CIRCUIT BREAKER, 1 POLE, 20-AMP (1)
- OCB2 - 120V OUTPUT CIRCUIT BREAKER, 2 POLE, 20-AMP (1)
- OCB3 - 277V OUTPUT CIRCUIT BREAKER, 1 POLE, 20-AMP (1)
- OCB4 - 277V OUTPUT CIRCUIT BREAKER, 2 POLE, 20-AMP (1)
- OCB5 - 120/240V OUTPUT CIRCUIT BREAKER, 2 POLE, 20-AMP (1)
- EMB1 - EXTERNAL MAINTENANCE BYPASS SWITCH UP TO 8KW (VIN=VOUT)
- EMB2 - EXTERNAL MAINTENANCE BYPASS SWITCH 10 TO 14KW (VIN=VOUT)
- EMB3 - EXTERNAL MAINTENANCE BYPASS SWITCH 18 TO 21KW (VIN=VOUT)
- RMP - REMOTE SYSTEM INDICATOR PANEL
- EPO - EMERGENCY POWER OFF
- SNMP - SNMP CARD
- FCC - FORM C CONTACTS
- SRB - SEISMIC MOUNTING BRACKET (1 SET)
- CAB1 - NEMA 3R ENCLOSURE (UP TO 5.25KW)
- CAB2 - NEMA 3R ENCLOSURE (7 TO 10KW)
- CAB3 - NEMA 3R ENCLOSURE (12 TO 14KW)
- CAB4 - NEMA 3R ENCLOSURE (18 TO 21KW)

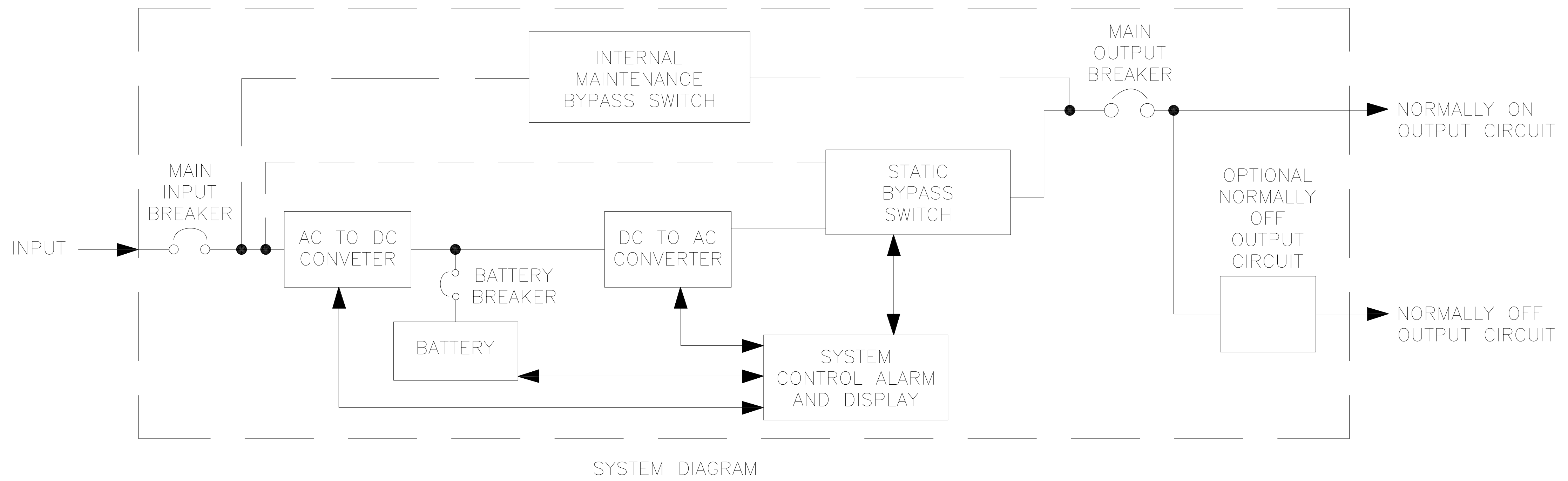


PER CODE REQUIREMENTS LEAVE 3.00 [76.2] CLEARANCE ON EACH SIDE OF THE CABINET INCLUDING THE BACK, AND A 36.00 [914.4] CLEARANCE IN FRONT.

NOTE:
 SEPARATE BATTERY CABINET FOR 18 AND 21 KW SYSTEMS IS THE SAME SIZE AS THE UPS CABINET.

UNLESS OTHERWISE SPECIFIED, TOLERANCE IS ±		UNITS		TITLE:									
DECIMALS .XX .XXX	HOLES .062 .005	ANGLES 1°	DRAFT 1-1/2°	IN [mm]				SPEC. CNTROL DRAWING UNISTAR SLCI924-EX 1Ø UL 924 UPS					
MATERIAL:				ALL DIMENSIONS APPLY AFTER PLATING		DRAWN BY S.A. SMITH		DATE 4/12/14		FIRST USED ON		DO NOT SCALE DWG.	
The information and design disclosed herein was originated by and is the property of STACO ENERGY PRODUCTS CO., which reserves all patent, proprietary, design, manufacturing, reproduction, use and sale rights thereto, and to any article disclosed therein except to the extent rights are expressly granted to others. The foregoing does not apply to vendor proprietary parts.				CHECKER SAS		DATE 8/13/14		WEIGHT APPROX.		CAGE CODE 83008		DWG. NO. 096-4323	
				ENGINEER SAS		DATE 8/13/14		SCALE 1/8		SHEET 1 OF 2		D	

DWG. NO.	096-4323		
REVISIONS			
SYM.	E.C.O.	DATE	APVD.
A	28604	10/3/16	SEE SHEET 1



SYSTEM DIAGRAM

UNLESS OTHERWISE SPECIFIED, TOLERANCE IS ±		UNITS		TITLE:	
DECIMALS	HOLES	ANGLES	DRAFT	SPEC. CONTROL DRAWING	
.XX .062	.005	1°	1-1/2°	UNISTAR SCL1924-EX	
.XXX .005				1Ø UL 924 UPS	
MATERIAL:		ALL DIMENSIONS APPLY AFTER PLATING		DRAWN BY	
				S.A. SMITH	
				DATE	
				8/12/14	
				FIRST USED ON	
				DO NOT SCALE DWG.	
				CHECKER	
				SAS	
				DATE	
				8/13/14	
				WEIGHT APPROX.	
				CAGE CODE	
				83008	
				DWG. NO.	
				D 096-4323	
				SCALE	
				1/1	
				SHEET 2 OF 2	

