

UNISTAR SLCI924-S SERIES 350W - 2.0KW

BASIC UNIT MODEL NUMBER EXAMPLE: SCLI-S-875-90
 DESCRIPTION OF EXAMPLE: (MODEL S, 875 KW, 90 MINUTE RUN TIME)
 FAMILY - MODEL - POWER RATING (WATTS/KW) - TIME (MINUTES)
 SCLI - S - 350 - 90

- 525
- 700
- 875
- 1.05
- 1.4
- 2.0

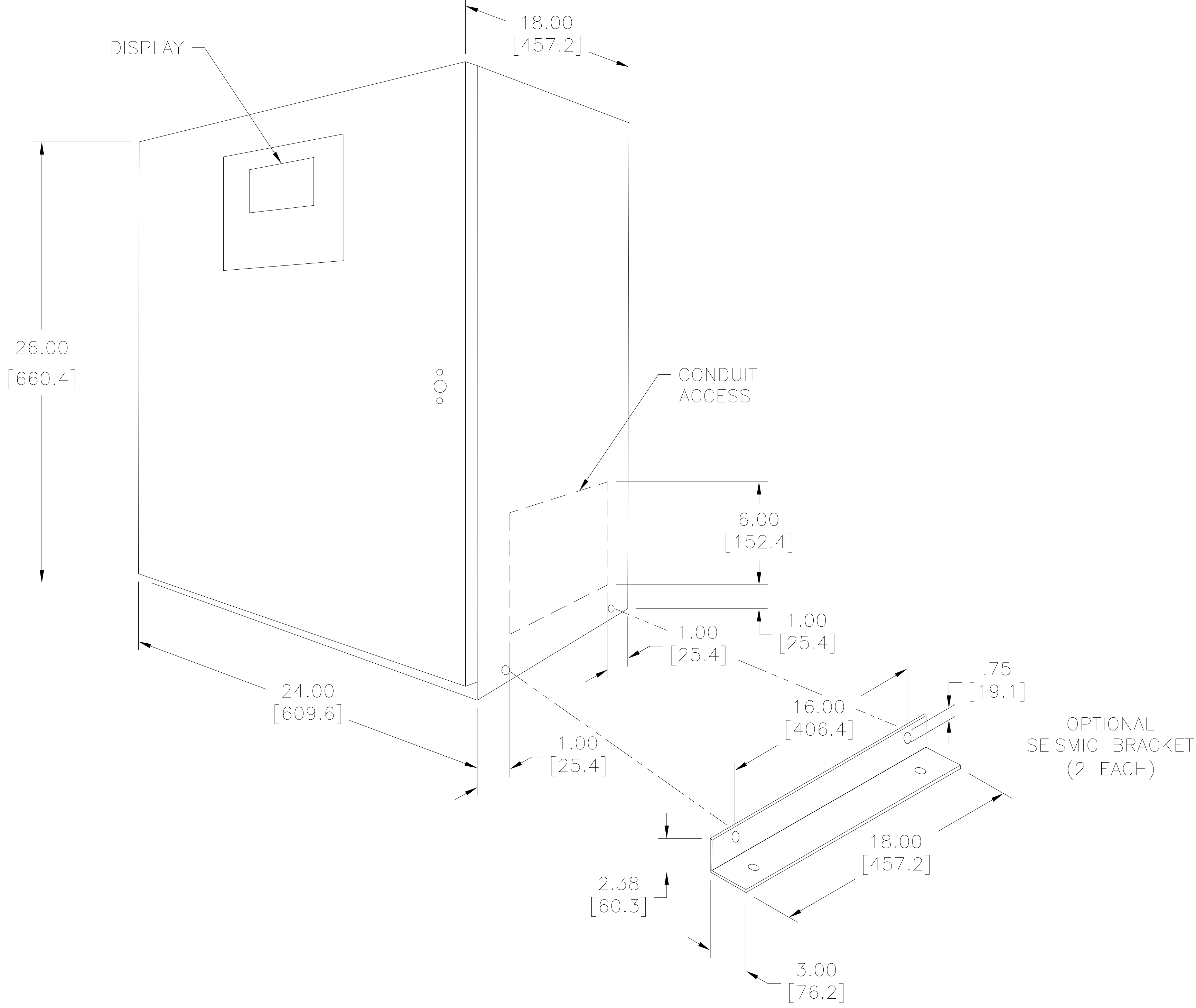
ALL OPTIONS ARE ORDERED AS SEPARATE LINE ITEM

VOLTAGE OPTIONS

INPUT/OUTPUT	INPUT/OUTPUT
120/120	240/480
120/277	240/120-240
120/480	240/120-277
120/120-240	277/120
120/120-277	277/277
208/120	277/480
208/277	277/120-240
208/480	277/120-277
208/120-240	480/120
208/120-277	480/277
240/120	480/480
240/277	480/120-240
	480/120-277

UNIT OPTIONS

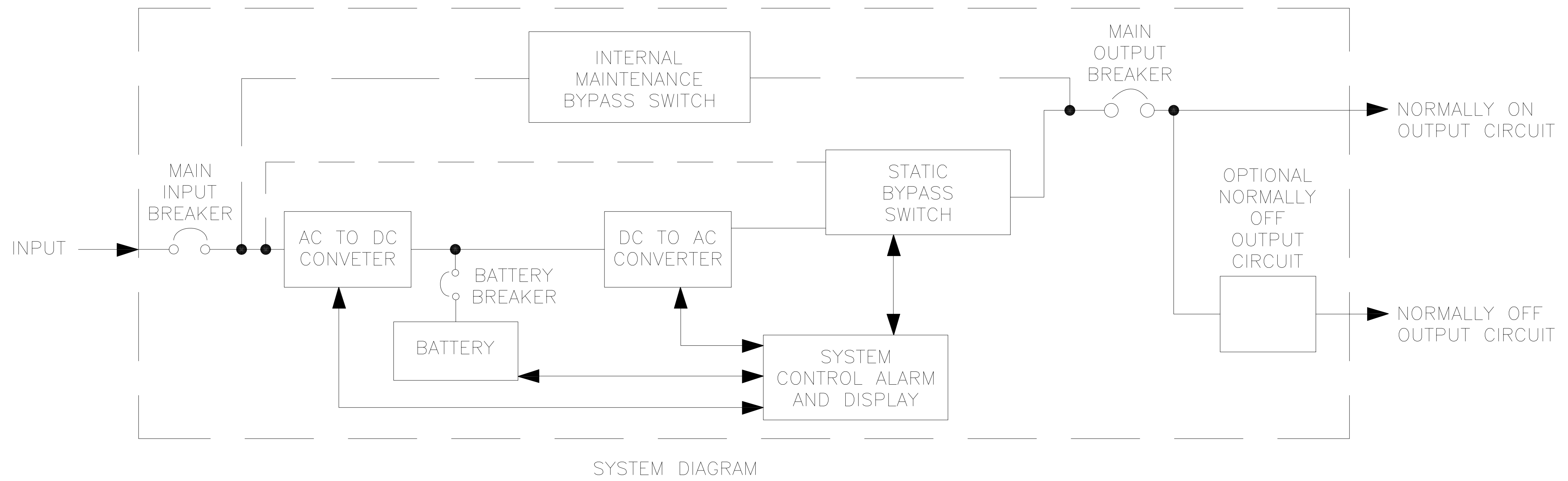
- NOF1 - 120V NORMALLY OFF OUTPUT CIRCUIT (UP TO 7KW)
- NOF4 - 120/240V NORMALLY OFF OUTPUT CIRCUIT (UP TO 7KW)
- NOF7 - 277V NORMALLY OFF OUTPUT CIRCUIT (UP TO 7KW)
- NOH - 120V-277V NORMALLY OFF "HOLD ON"/VOLTAGE/QTY. (MUST USE NOF OPTION)
- OCB1 - 120V OUTPUT CIRCUIT BREAKER, 1 POLE, 20-AMP (1)
- OCB2 - 120V OUTPUT CIRCUIT BREAKER, 2 POLE, 20-AMP (1)
- OCB3 - 277V OUTPUT CIRCUIT BREAKER, 1 POLE, 20-AMP (1)
- OCB4 - 277V OUTPUT CIRCUIT BREAKER, 2 POLE, 20-AMP (1)
- OCB5 - 120/240V OUTPUT CIRCUIT BREAKER, 2 POLE, 20-AMP (1)
- EMB1 - EXTERNAL MAINTENANCE BYPASS SWITCH (VIN=VOUT)
- RMP - REMOTE SYSTEM INDICATOR PANEL
- EPO - EMERGENCY POWER OFF
- SNMP - SNMP CARD
- FCC - FORM C CONTACTS
- SRM - SEISMIC MOUNTING BRACKET (1 SET)
- WMB - WALL MOUNT BRACKET
- CAB1 - NEMA 3R ENCLOSURE




PER CODE REQUIREMENTS LEAVE 3.00 [76.2] CLEARANCE ON EACH SIDE OF THE CABINET INCLUDING THE BACK, AND A 36.00 [914.4] CLEARANCE IN FRONT.

UNLESS OTHERWISE SPECIFIED, TOLERANCE IS ±		UNITS		TITLE: SPEC. CONTROL DRAWING		
DECIMALS	HOLES	ANGLES	DRAFT	UNISTAR SLCI924-S		
.XX .062	.005	1°	1-1/2°	1Ø UL 924 UPS		
MATERIAL:		ALL DIMENSIONS APPLY AFTER PLATING		DRAWN BY: S.A. SMITH	DATE: 8/11/14	FIRST USED ON
The information and design disclosed herein was originated by and is the property of STACO ENERGY PRODUCTS CO., which reserves all patent, proprietary, design, manufacturing, reproduction, use and sale rights thereto, and to any article disclosed therein except to the extent rights are expressly granted to others. The foregoing does not apply to vendor proprietary parts.		CHECKER: SAS	DATE: 8/13/14	WEIGHT APPROX.	CAGE CODE: 83008	DWG. NO.: 096-4321
		ENGINEER: SAS	DATE: 8/13/14	SCALE: 1/4	SHEET 1 OF 2	

DWG. NO.	096-4321		
REVISIONS			
SYM.	E.C.O.	DATE	APVD.
A	28604	10/3/16	SEE SHEET 1



SYSTEM DIAGRAM

UNLESS OTHERWISE SPECIFIED, TOLERANCE IS ±		UNITS		TITLE:			
DECIMALS	HOLES	ANGLES	DRAFT	SPEC. CONTROL DRAWING			
.XX .062	.005	1°	1-1/2°	UNISTAR SCL1924-S		A Components Corporation of America Company	
.XXX .005				1Ø UL 924 UPS		301 Gadsden Boulevard Dayton, Ohio 45403 USA	
MATERIAL:				ALL DIMENSIONS APPLY AFTER PLATING		DRAWN BY	
						S.A. SMITH	
						DATE	
						8/11/14	
						FIRST USED ON	
						DO NOT SCALE DWG.	
						CHECKER	
						SAS	
						DATE	
						8/13/14	
						WEIGHT APPROX.	
						CAGE CODE	
						83008	
						DWG. NO.	
						D	
						096-4321	
						SCALE	
						1/1	
						SHEET 2 OF 2	

The information and design disclosed herein was originated by and is the property of STACO ENERGY PRODUCTS CO., which reserves all patent, proprietary, design, manufacturing, reproduction, use and sale rights thereto, and to any article disclosed therein except to the extent rights are expressly granted to others. The foregoing does not apply to vendor proprietary parts.