



# External Maintenance Bypass Switch

## 25 -315 Amp

INPUT: 120V, 240V, or 277VAC, 60Hz

OUPTPUT: 120V, 240V or 277VAC 60Hz

3 Position Make before Break (MBB) industrial grade switch with Auto, Bypass and Test Positions

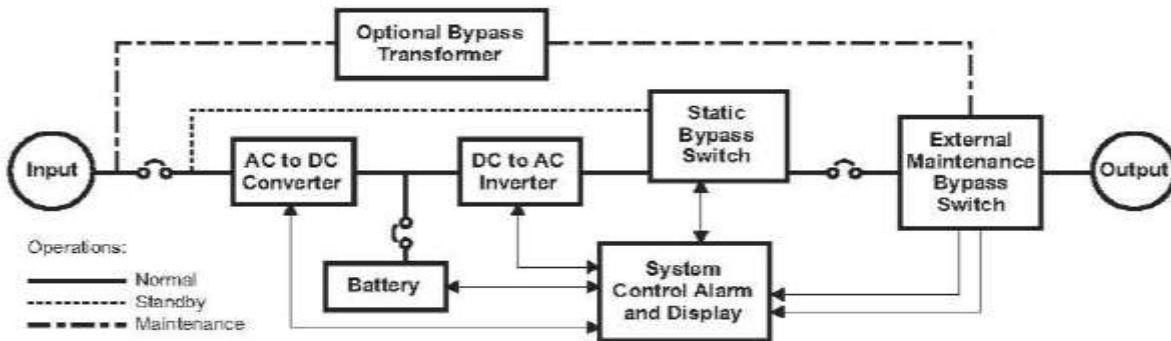
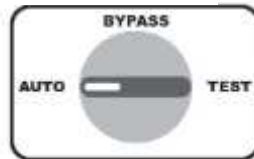
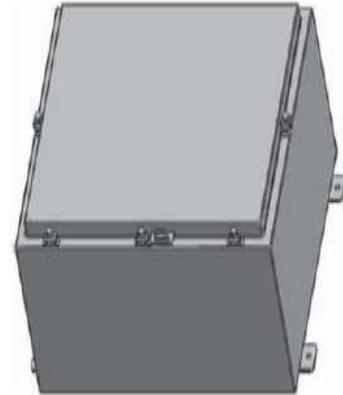
Enclosure: NEMA 4, Lockable hinged door, Stainless Steel Hardware

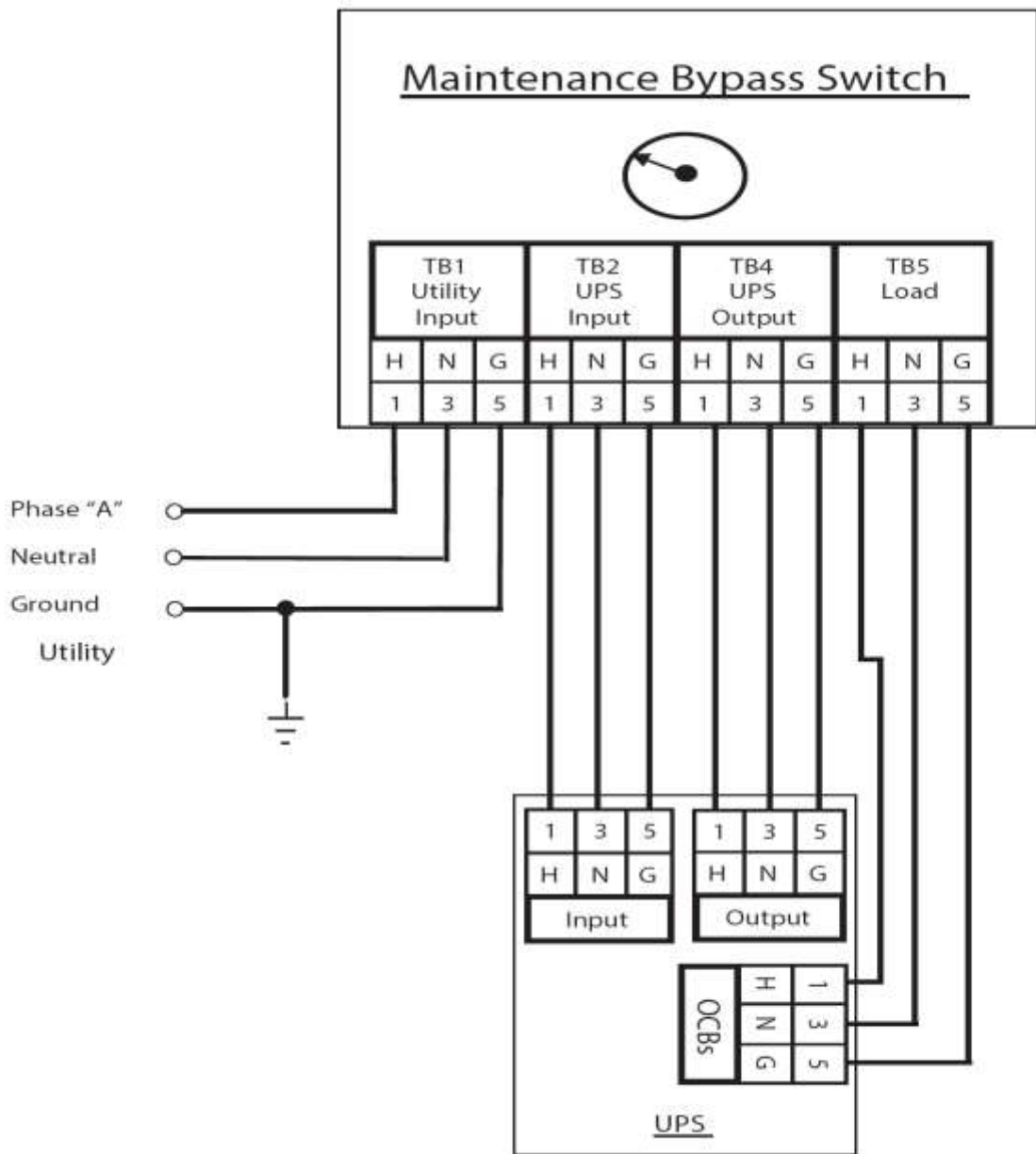
High Interrupting rating standard

CODES: UL924, meets NFPA 101, NFPA 70, NEC and OSHA

INSTALLATION: Pre-wired switch with clearly marked terminal blocks

Easy access mounting tabs, no internal anchors required.





FUNCTIONAL DRAWING

Functional Truth Table (Refer to Specification Sheet)			
Contacts	UPS	Bypass	Test
1&2, 3&4, and 13&14	Closed	Open	Closed
5&6, 7&8, and 17&18	Open	Closed	Closed
9&10, 11&12, and 19&20	Closed	Open	Open