

DWG. NO.	096-4342		
REVISIONS			
SYM.	E.C.O.	DATE	APVD.
A	28270	09/10/15	UPDATE WEIGHT
B	28428	2/26/16	UPDATED DIMS & WEIGHTS
C	28959	11/22/17	DIM RACK MTC EARS

SPECIFICATIONS:
SINGLE PHASE ON-LINE DOUBLE CONVERSION UNINTERRUPTIBLE POWER SUPPLY 3000VA/2700W

INPUT
RATED VOLTAGE: 220-240 VAC
FREQUENCY RANGE: 40-70 Hz
POWER FACTOR: \geq 0.99 AT NORMAL VOLTAGE

OUTPUT
NOMINAL VOLTAGE: 200*/208*/220/230/240 VAC \pm 1%
FREQUENCY SYNC RANGE: 47-53 Hz or 57-63 Hz
FREQUENCY RANGE (BAT. MODE): 50Hz \pm 0.5Hz or 60Hz \pm 0.5Hz
CURRENT CREST RATIO: 5:1 (MAX.)
HARMONIC DISTORTION: \leq 2% THD (LINEAR LOAD), 6% MAX. (BATTERY MODE BEFORE SHUT DOWN)
EFFICIENCY: LINE MODE: 88%
BATTERY MODE: 85%
ECO MODE: 97%

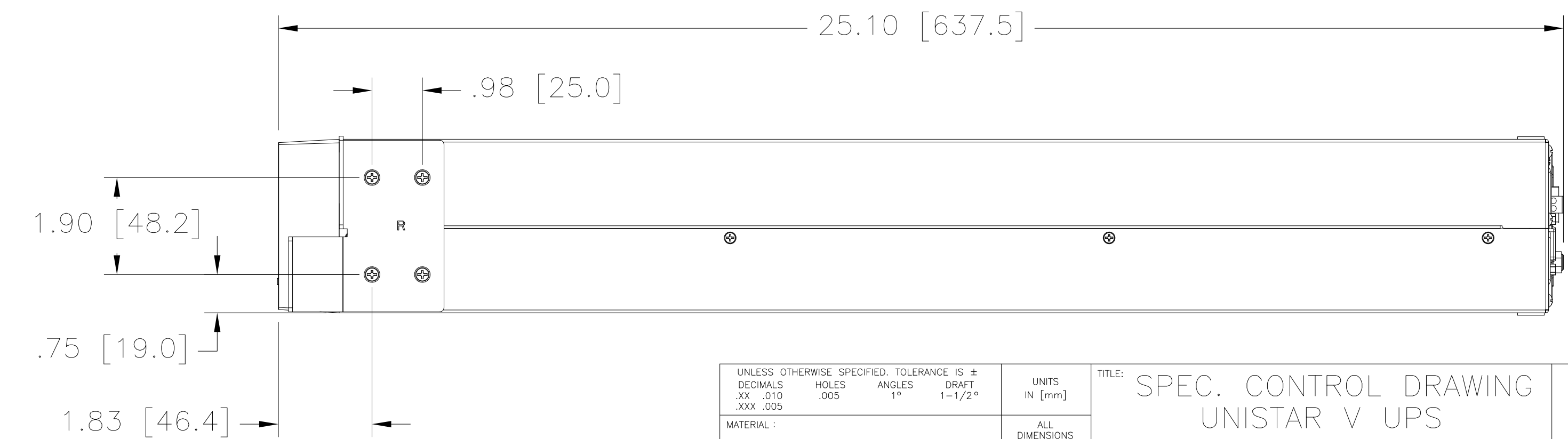
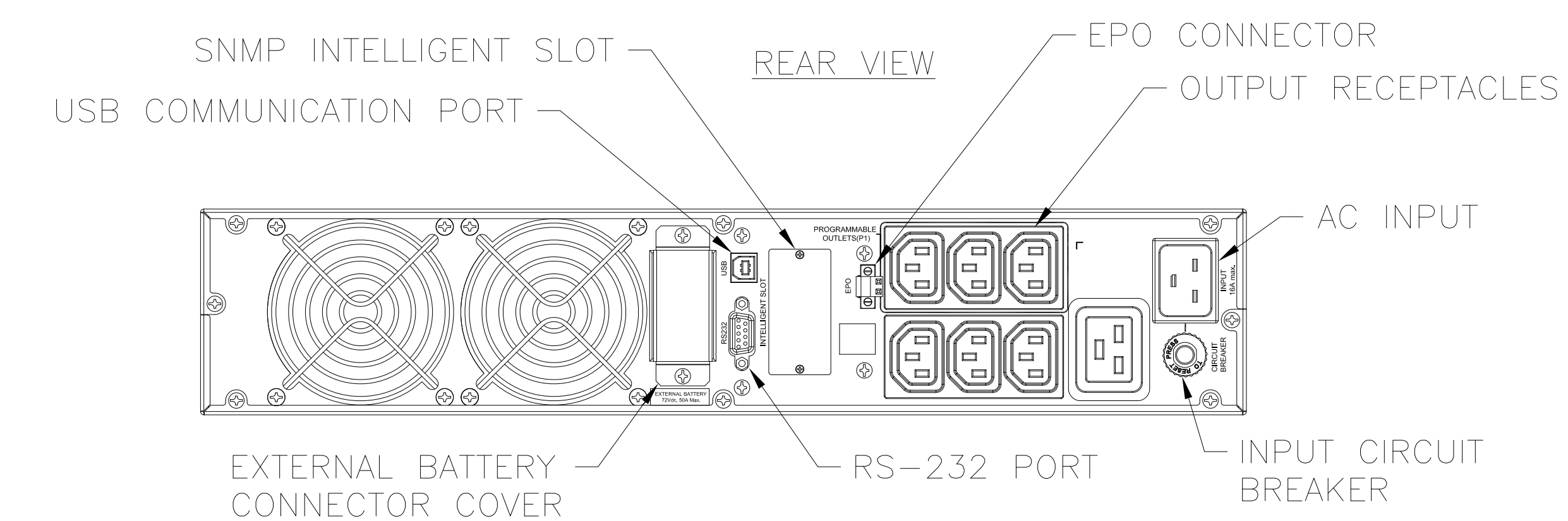
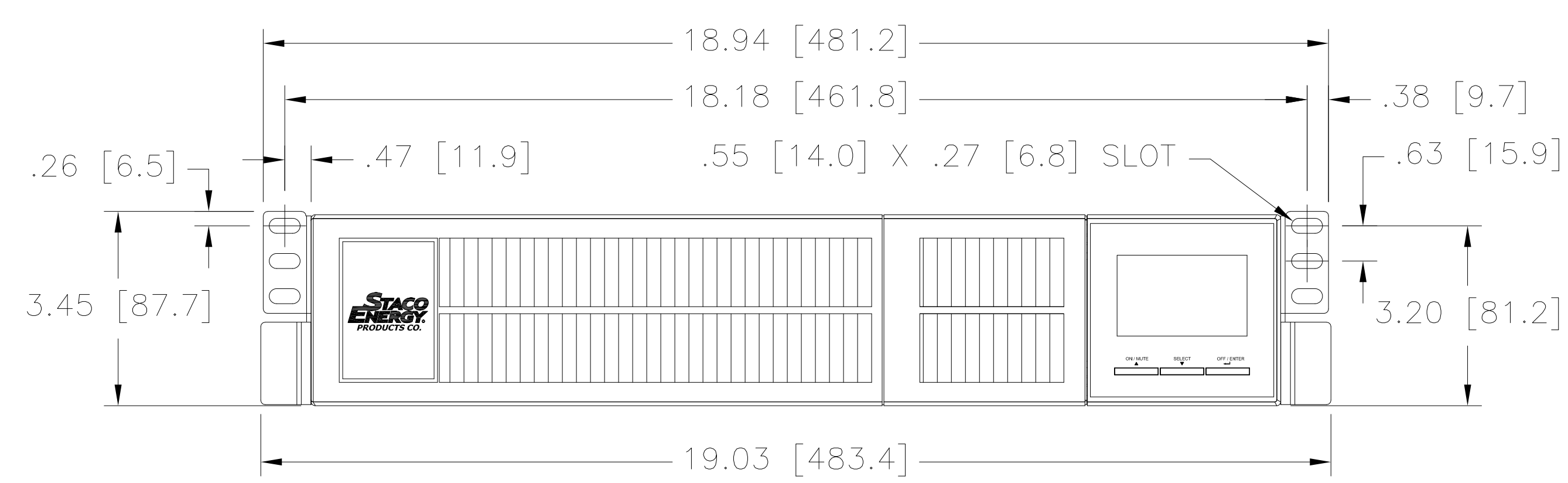
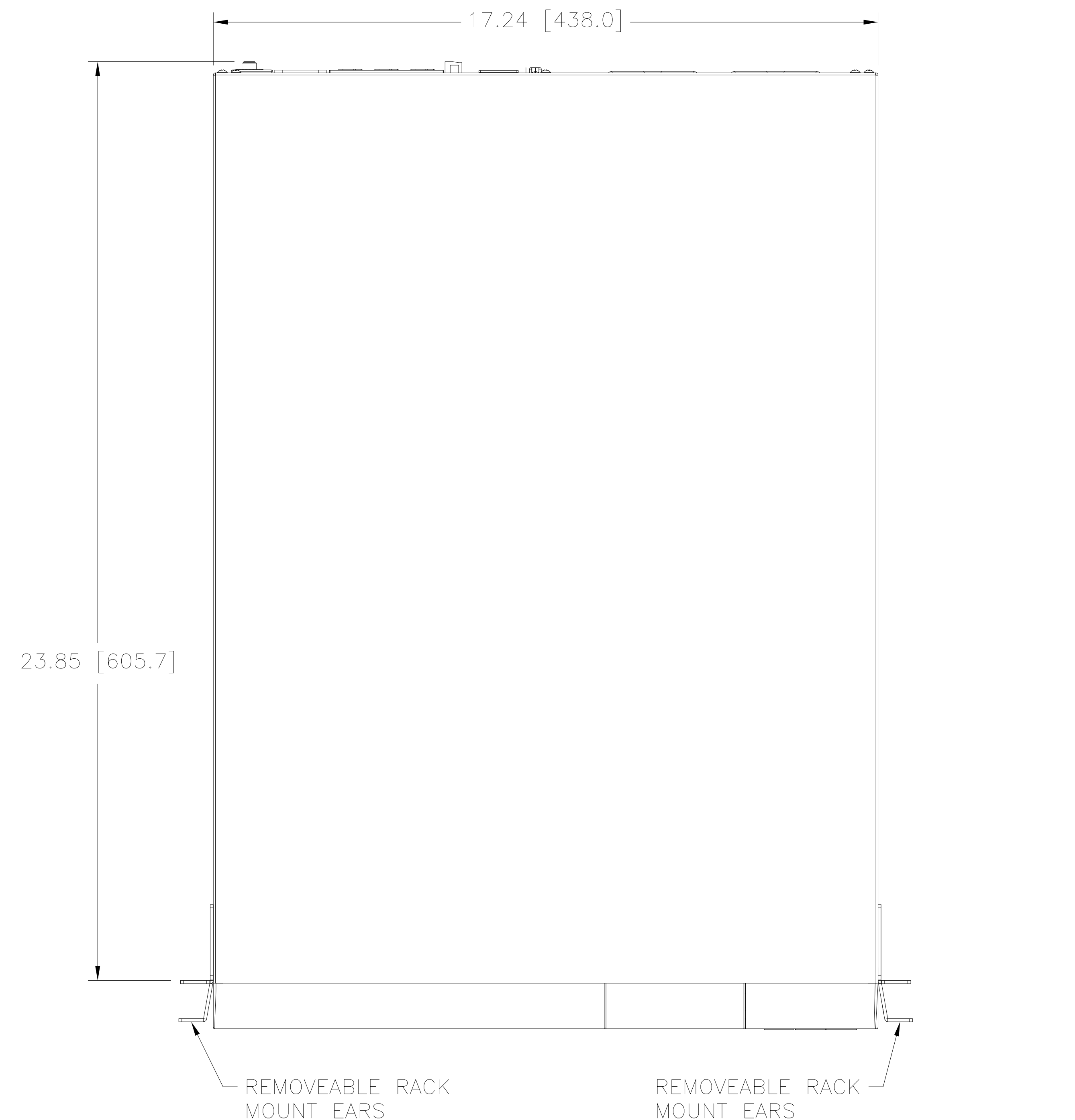
*DERATE CAPACITY TO 80% WHEN THE OUTPUT VOLTAGE IS ADJUSTED TO 200/208VAC.

BATTERY
BATTERY TYPE: 12V 9AH
NUMBER OF BATTERIES: 6
TYPICAL RECHARGE TIME: 4 HOURS RECOVER TO 90% CAPACITY
CHARGING CURRENT (MAX.): 1A AT 82.1 VDC \pm 1%, 1A/2A/4A OR 8A FOR EXTERNAL BATTERIES

WEIGHT: 65 LBS (30 KG)

ENVIRONMENTAL
OPERATING TEMPERATURE: 0°C-40°C (32°F-104°F)(THE BATTERY LIFE WILL DECREASE WHEN > 25°C (77°F))
ALTITUDE: <1000m (3281 FT), 2000m (6562 FT) MAX.
IF THE UPS IS INSTALLED OR USED IN A PLACE WHERE THE ALTITUDE IS ABOVE THAN 1000M, THE OUTPUT POWER MUST BE DERATED ONE PERCENT PER 100M.
HUMIDITY: 20-90% RH AT 0°C - 40°C NON-CONDENSING
NOISE: <50 dBA (AT 1 METER)

UL LISTED TO UL1778



UNLESS OTHERWISE SPECIFIED, TOLERANCE IS \pm		UNITS		TITLE: SPEC. CONTROL DRAWING	
DECIMALS	Holes	ANGLES	DRAFT	UNSTAR V UPS	
.XX .010	.005	1°	1-1/2°	SCV-30002	
.XXX .005					
MATERIAL:			ALL DIMENSIONS APPLY AFTER PLATING.		
The information and design disclosed herein was originated by and is the property of STACO ENERGY PRODUCTS CO., which reserves all patent, proprietary, design, manufacturing, reproduction, use and sale rights thereto, and to any article disclosed therein except to the extent rights are expressly granted to others. The foregoing does not apply to vendor proprietary parts.		DRAWN BY	DATE	FIRST USED ON	DO NOT SCALE DWG.
		SLB	09/11/15		
		CHECKER	DATE	WEIGHT APPROX.	CAGE CODE
		B.FOX	09/11/15		83008
		ENGINEER	DATE	SCALE	SHEET 1 OF 1
		B.FOX	09/11/15	1/2	
DWG. NO.	096-4342				



A Components Corporation of America Company
301 Gessie Boulevard Dayton, Ohio 45403 USA