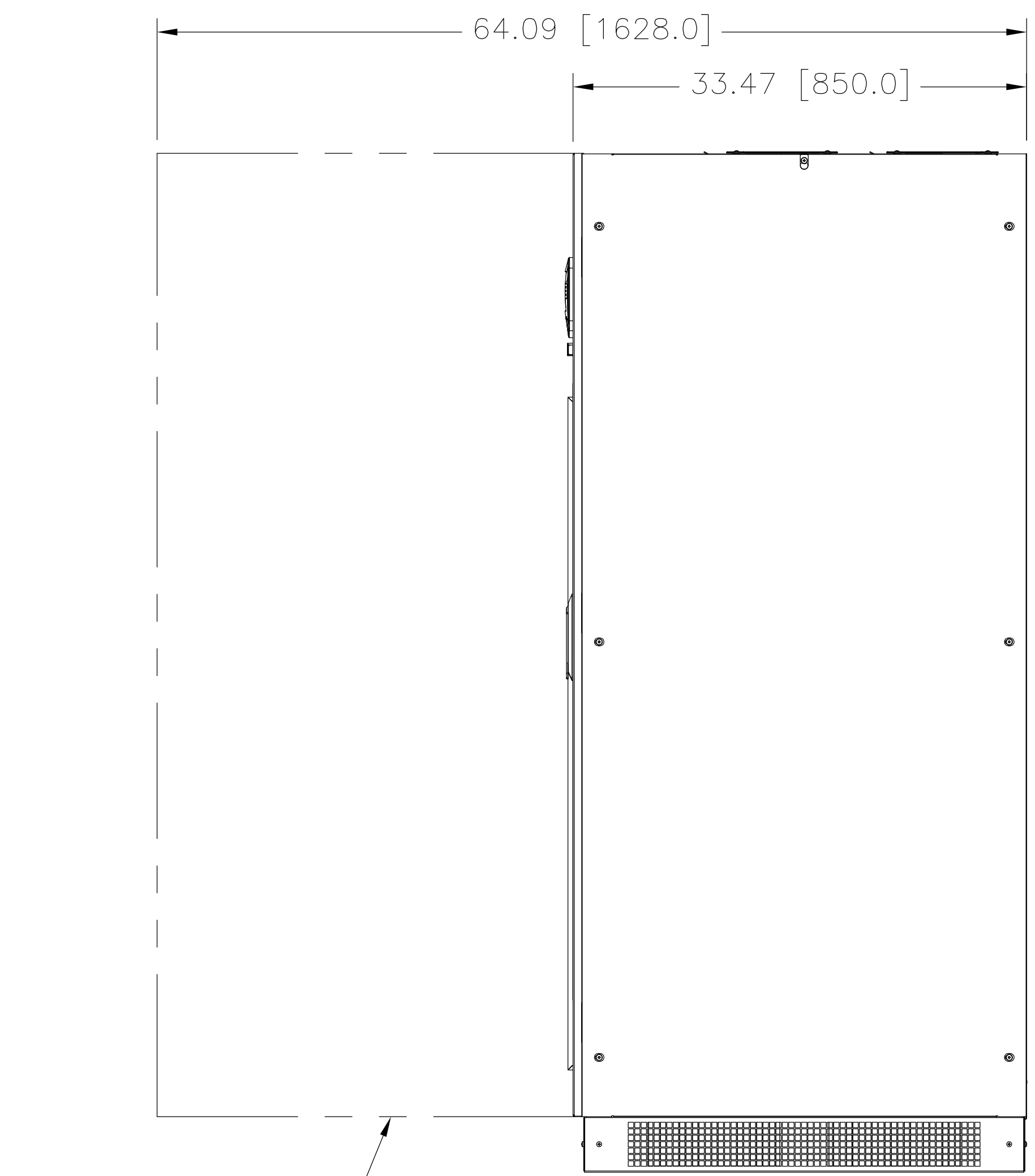
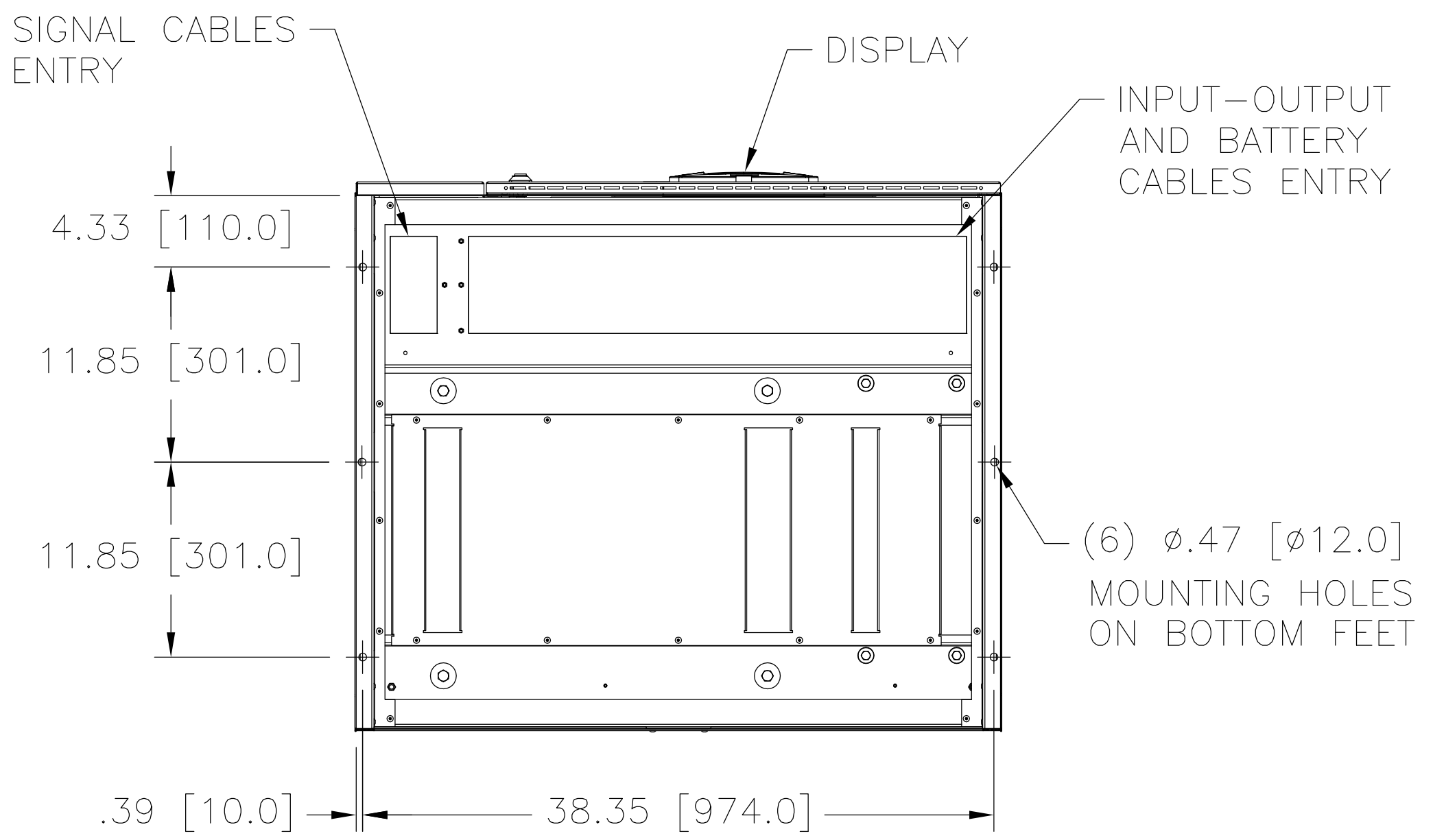


FRONT VIEW

REMOVABLE COVERS FRONT AND REAR FOR FORK LIFT ACCESS

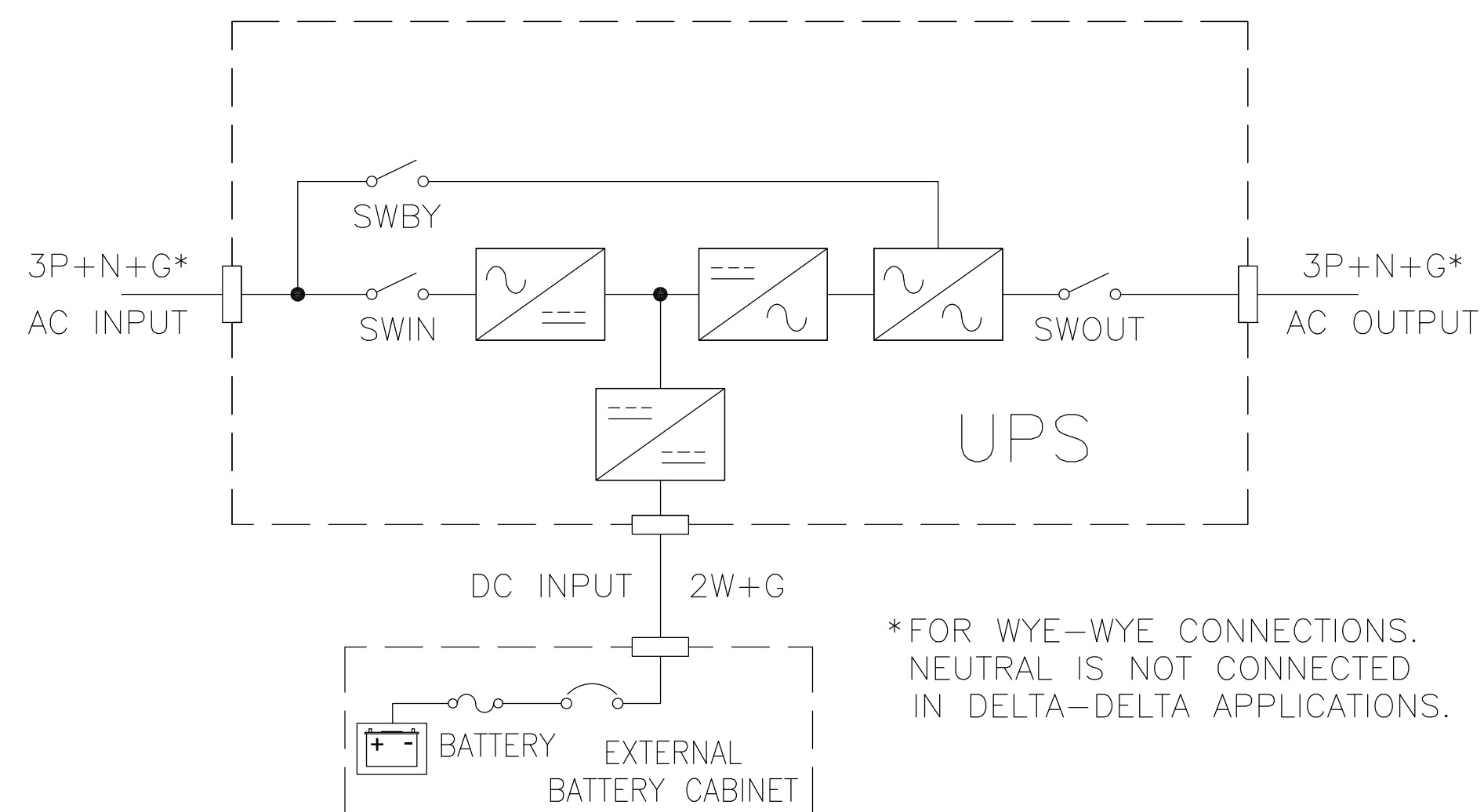


RIGHT SIDE VIEW



BOTTOM VIEW

SEE SHEET 2 FOR TOP VIEW



*FOR WYE-WYE CONNECTIONS. NEUTRAL IS NOT CONNECTED IN DELTA-DELTA APPLICATIONS.

NOTE:
AC AND DC CABLES PROVIDED BY OTHERS.
CABLE LUGS PROVIDED BY OTHERS.

SUMMARY OF EQUIPMENT

THE FIRSTLINE P UNINTERRUPTIBLE POWER SUPPLY (UPS) IS A TRUE ON-LINE, DOUBLE CONVERSION, PARALLELABLE, THREE PHASE SYSTEM THAT CAN PREVENT THE LOSS OF ELECTRONIC INFORMATION AND MINIMIZE EQUIPMENT DOWN TIME.

THE FIRSTLINE P UPS CONSTANTLY MONITORS THE INCOMING ELECTRICAL POWER AND PROTECTS THE CONNECTED LOAD BY REMOVING VOLTAGE SPIKES, SAGS, TRANSIENTS, AND OTHER DAMAGING IRREGULARITIES THAT ARE COMMON IN COMMERCIAL UTILITY POWER. THE UPS SUPPLIES THE CLEAN, CONSISTENT POWER THAT SENSITIVE ELECTRONIC EQUIPMENT REQUIRES FOR RELIABLE OPERATION. DURING BROWNOUTS, BLACKOUTS, AND OTHER POWER INTERRUPTIONS, THE BATTERIES PROVIDE EMERGENCY POWER TO SAFEGUARD OPERATION.

THE FRONT DISPLAY PANEL PROVIDES ACCESS TO DETAILED INFORMATION REGARDING THE STATUS OF THE UTILITY, LOAD, AND FIRSTLINE UPS.

THE BLOCK DIAGRAM BELOW SHOWS THE MAIN FUNCTIONAL SUBASSEMBLIES OF THE FIRSTLINE P UPS. THE AC THREE PHASE UTILITY SUPPLY IS RECTIFIED TO PROVIDE DIRECT CURRENT, THE INVERTER WHICH PROVIDES THE THREE PHASE OUTPUT, AND ELECTRONIC STATIC SWITCH.

PROVIDED THE UTILITY IS WITHIN LIMITS, THE INVERTER WILL MATCH THE OUTPUT FREQUENCY WITH THE UTILITY FREQUENCY. THE INVERTER HAS ITS OWN INTERNAL CONTROL TO STABILIZE THE OUTPUT FREQUENCY IF THE UTILITY FREQUENCY IS OUT OF LIMITS. THE ELECTRONIC STATIC SWITCH SWITCHES THE OUTPUT FROM THE INVERTER TO THE UTILITY, WITHOUT INTERRUPTION, TO MEET ANY LOAD CURRENT SURGES.

UPS CAN BE CONFIGURED FOR WYE-WYE OR DELTA-DELTA APPLICATIONS. DELTA-WYE APPLICATIONS REQUIRE EXTERNAL TRANSFORMER.

ENVIRONMENTAL
OPERATING TEMPERATURE: 0°C TO 40°C
ALTITUDE: 0-3300 FEET [1000 METERS] (WITHOUT DERATING)
RELATIVE HUMIDITY: 0-95%, NON-CONDENSING

SERVICE/VENTILATION CLEARANCES
FROM TOP OF CABINET: 23.62 [600]
FROM FRONT OF CABINET: 39.37 [1000]
FROM REAR OF CABINET: 19.69 [500]

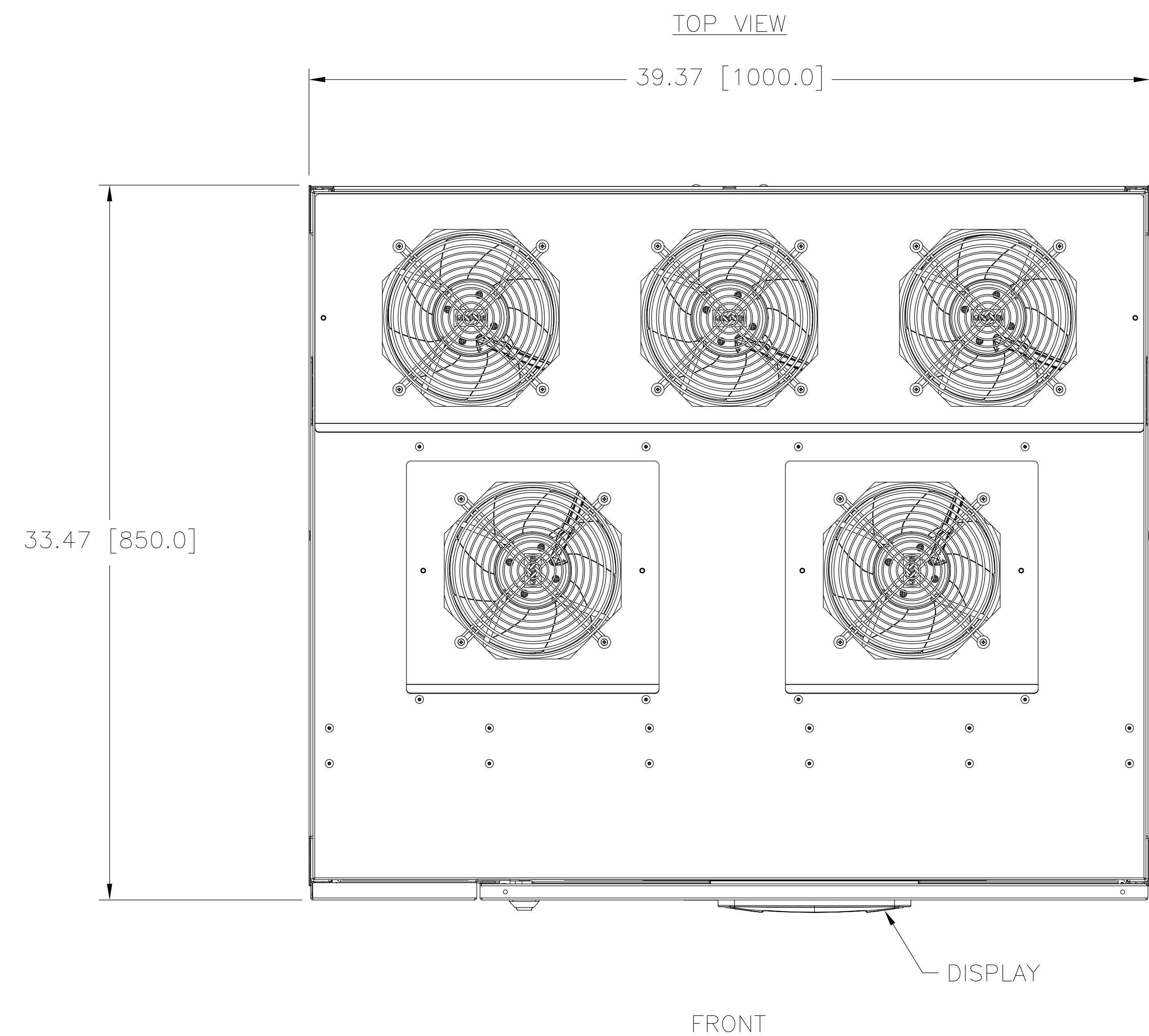
UL LISTED TO UL 1778, FILE NO.: E191175


FIRSTLINE P UPS SPECIFICATIONS						
MODEL	kVA	INPUT VOLTAGE (+15%, -10%) 60 HZ	OUTPUT VOLTAGE (±1%) 60 HZ	MAXIMUM INPUT CURRENT (AMPS)	NOMINAL OUTPUT CURRENT (AMPS)	WEIGHT APPROX. LBS (KG)
FLU-160-00	160	480Y/277	480Y/277	212	192	1984 (900)
FLU-200-00	180	480Y/277	480Y/277	265	241	2205 (1000)
FLU-250-00	250	480Y/277	480Y/277	331	301	2425 (1100)

UNLESS OTHERWISE SPECIFIED, TOLERANCE IS ±		UNITS		TITLE: SPECIFICATION CONTROL DRAWING	
DECIMALS	HOLES	ANGLES	DRAFT	FIRSTLINE P 160-250 KVA UNINTERRUPTIBLE POWER SUPPLY	
.XX	.06	1°	1-1/2°	DRAWN BY: S.A. SMITH	
.XXX	.005			DATE: 02/18/13	
MATERIAL:				FIRST USED ON	
ALL DIMENSIONS APPLY AFTER PLATING				DO NOT SCALE DWG.	
The information and design disclosed herein was originated by and is the property of STACO ENERGY PRODUCTS CO., which reserves all patent, proprietary, design, manufacturing, reproduction, use and sole rights thereto, and to any article disclosed therein except to the extent rights are expressly granted to others. The foregoing does not apply to vendor proprietary parts.				CHECKER: SAS	
				DATE: 02/18/13	
				ENGINEER: SAS	
				DATE: 02/18/13	
				SCALE: 1/8	
				SHEET 1 OF 3	
				DWG. NO. 096-6025	

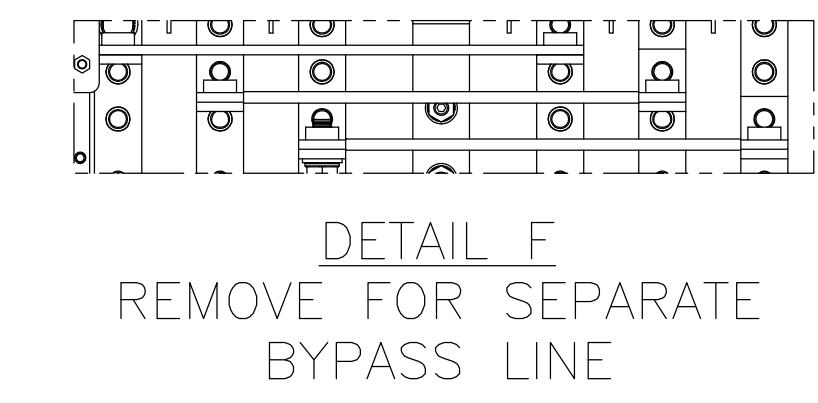
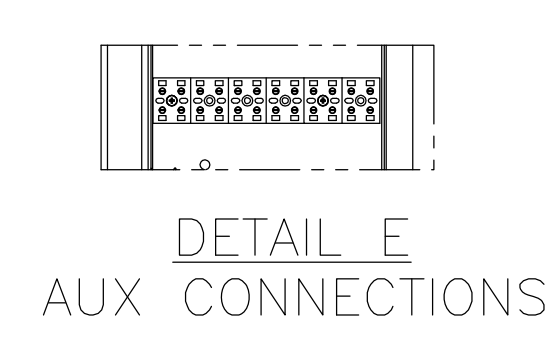
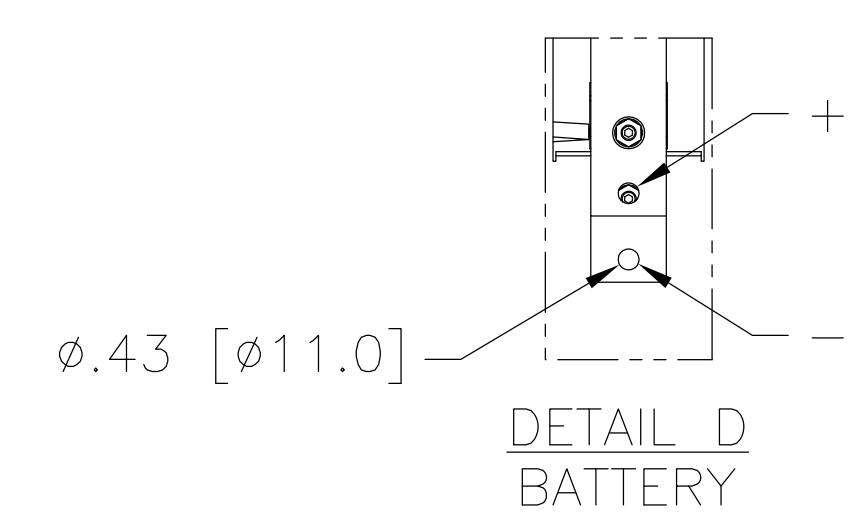
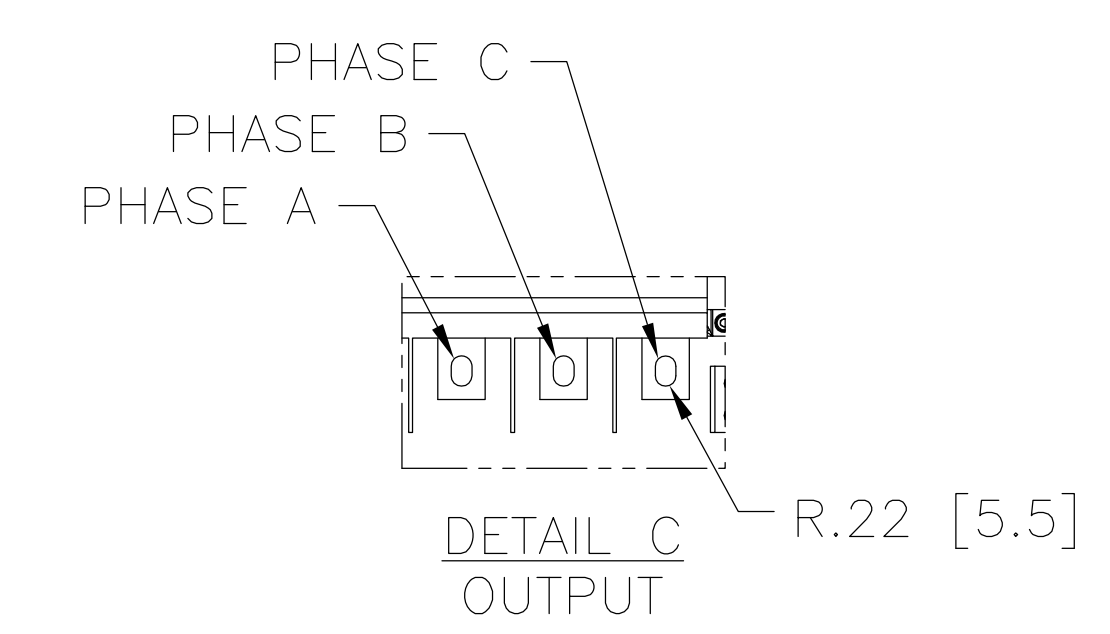
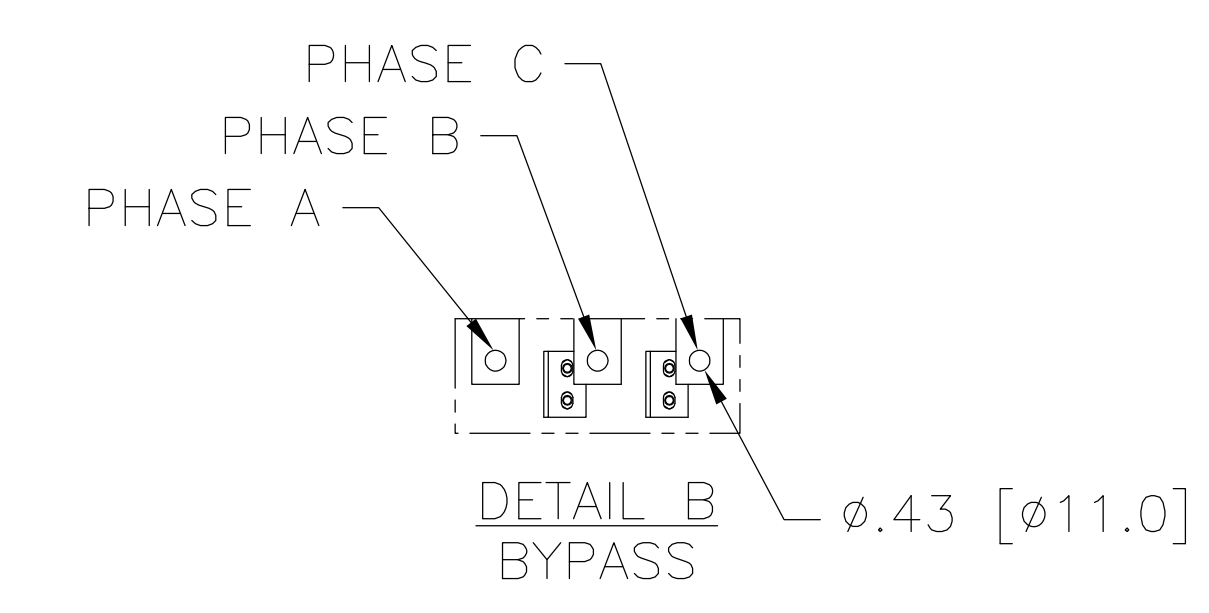
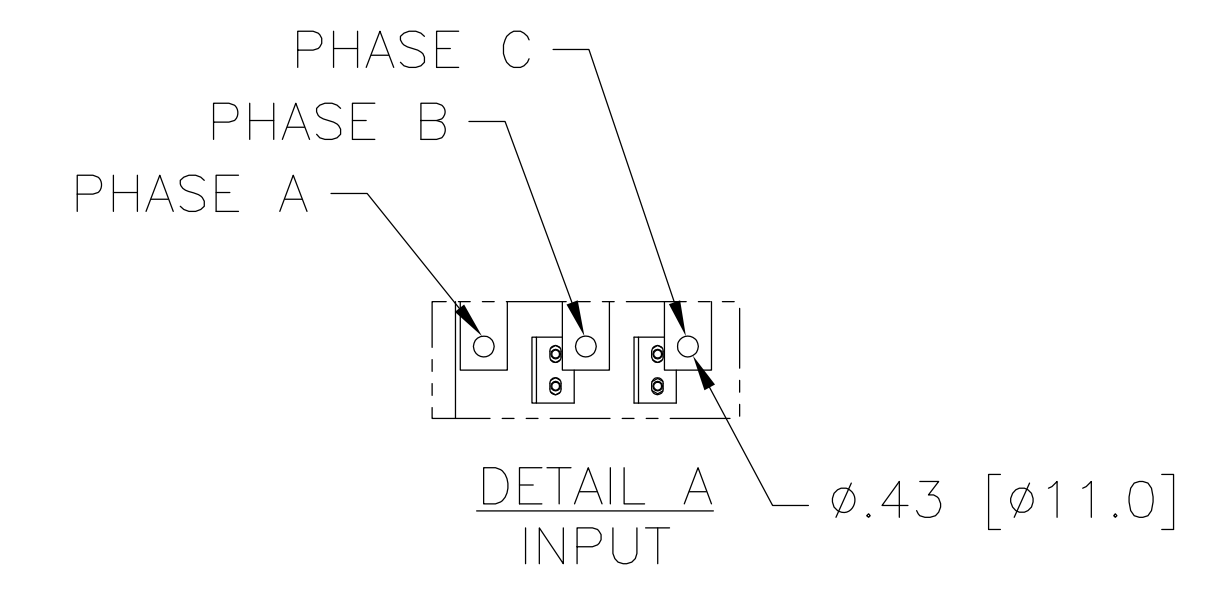
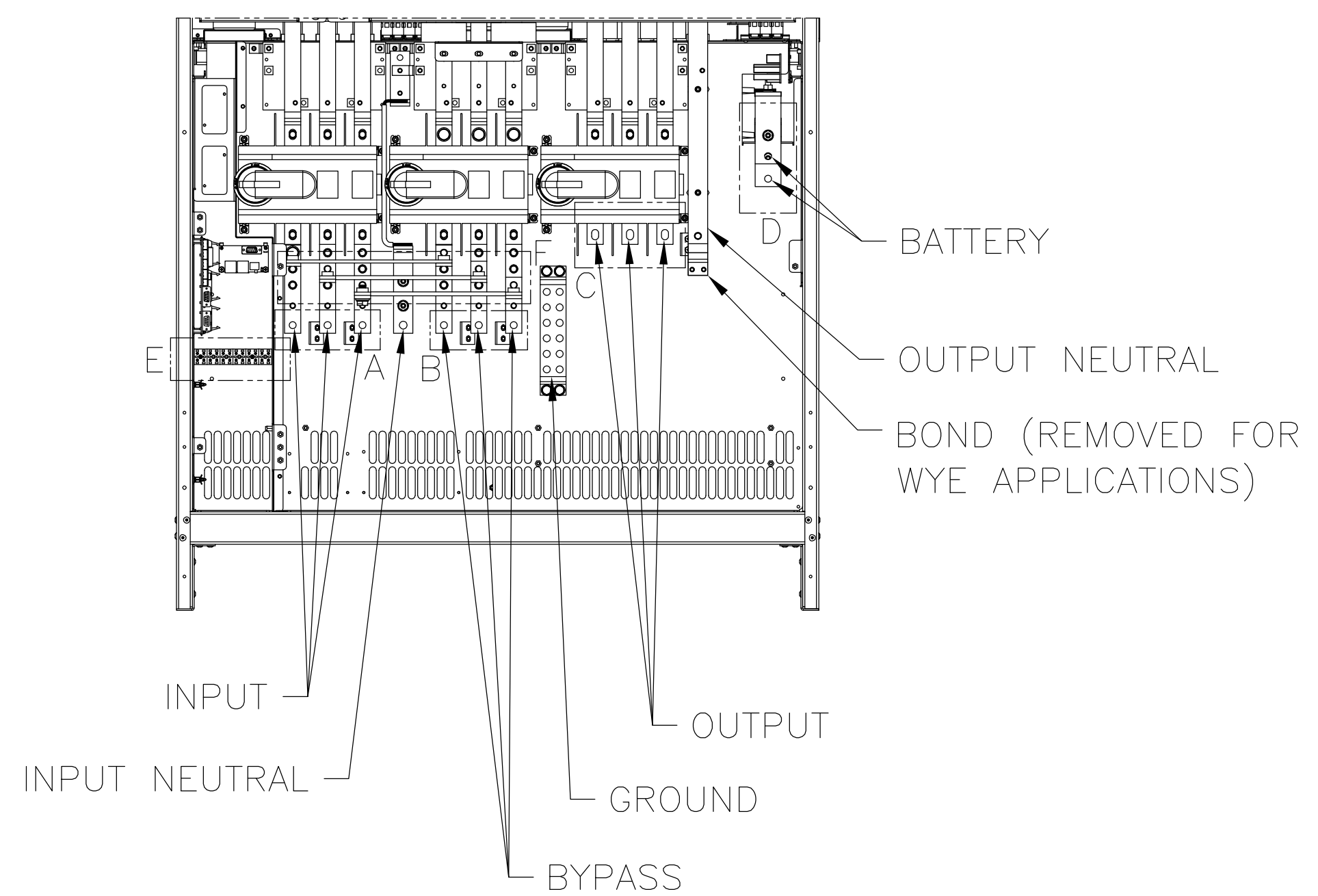
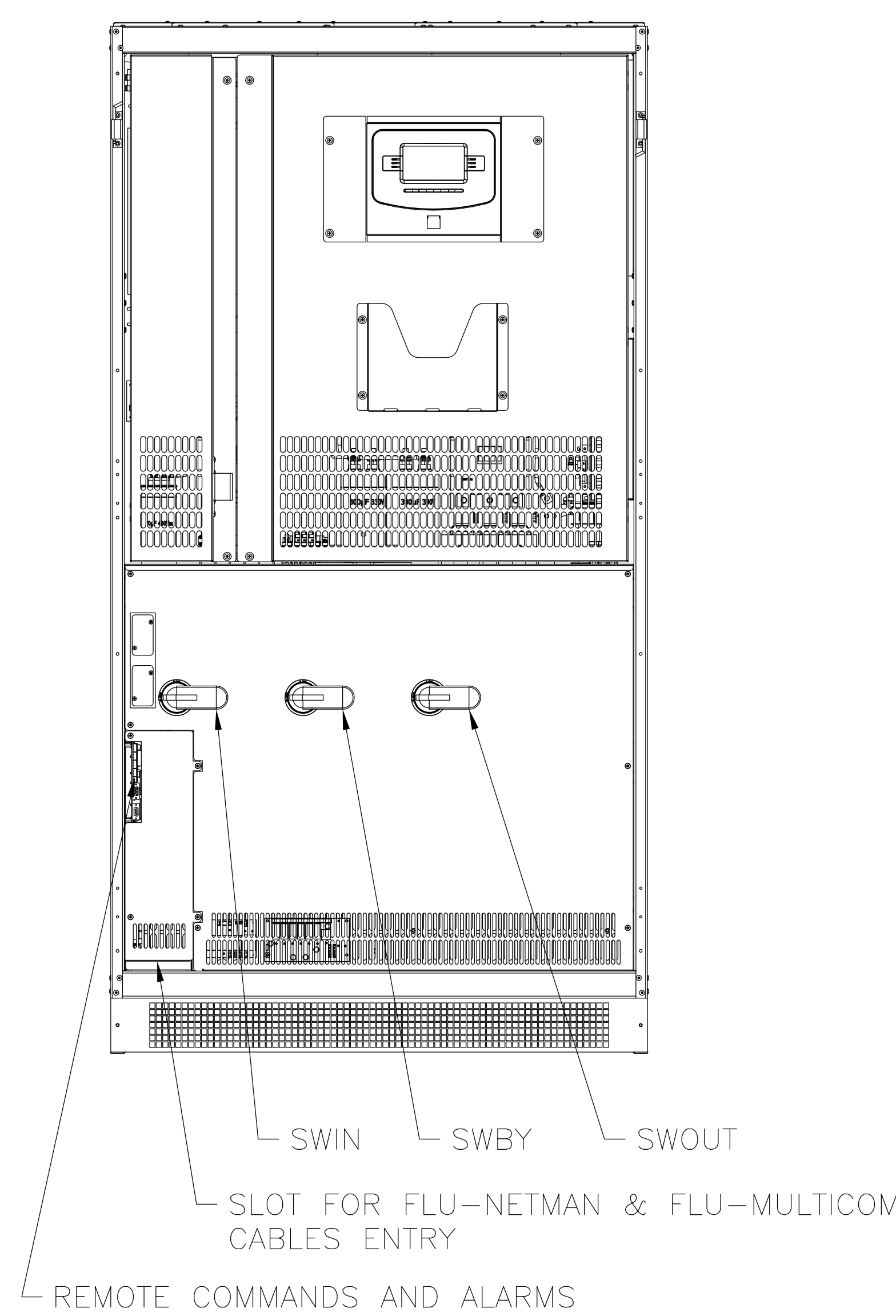


DWG. NO.	096-6025		
REVISIONS			
SYM.	E.C.O.	DATE	APVD.
A	28192	6/8/15	SEE SHEET 1



UNLESS OTHERWISE SPECIFIED, TOLERANCE IS ±		UNITS		TITLE: SPECIFICATION CONTROL DRAWING				 <small>A Components Corporation of America Company 301 Gablets Boulevard Dayton, Ohio 45403 USA</small>	
DECIMALS	HOLES	ANGLES	DRAFT	IN [mm]		FIRST USED ON			DO NOT SCALE DWG.
.XX	.06	1°	1-1/2°			DATE	WEIGHT APPROX.		CAGE CODE
.XXX	.005					02/18/13	83008		83008
MATERIAL:				ALL DIMENSIONS APPLY AFTER PLATING		DRAWN BY		DWG. NO.	
<small>The information and design disclosed herein was originated by and is the property of STACO ENERGY PRODUCTS CO., which reserves all patent, proprietary, design, manufacturing, reproduction, use and sole rights thereto, and to any article disclosed therein except to the extent rights are expressly granted to others. The foregoing does not apply to vendor proprietary parts.</small>				S.A. SMITH		DATE	DO NOT SCALE DWG.	DWG. NO.	
				SAS		02/18/13	WEIGHT APPROX.	83008	DWG. NO.
				SAS		02/18/13	SCALE	1/4	SHEET 2 OF 3

DWG. NO.	096-6025		
REVISIONS			
SYM.	E.C.O.	DATE	APVD.
A	28192	6/8/15	SEE SHEET 1



UNLESS OTHERWISE SPECIFIED, TOLERANCE IS ±		UNITS		TITLE:	
DECIMALS	HOLES	ANGLES	DRAFT	SPECIFICATION CONTROL DRAWING	
XX .06	.005	1°	1-1/2°	FIRSTLINE P 160-250 KVA	
XXX .005				UNINTERRUPTIBLE POWER SUPPLY	
MATERIAL:		ALL DIMENSIONS APPLY AFTER PLATING		DRAWN BY	
				S.A. SMITH	
				DATE	
				02/18/13	
				FIRST USED ON	
				DO NOT SCALE DWG.	
				CHECKER	
				DATE	
				WEIGHT APPROX.	
				SCALE	
				SHEET 3 OF 3	
				DWG. NO.	
				D 096-6025	

