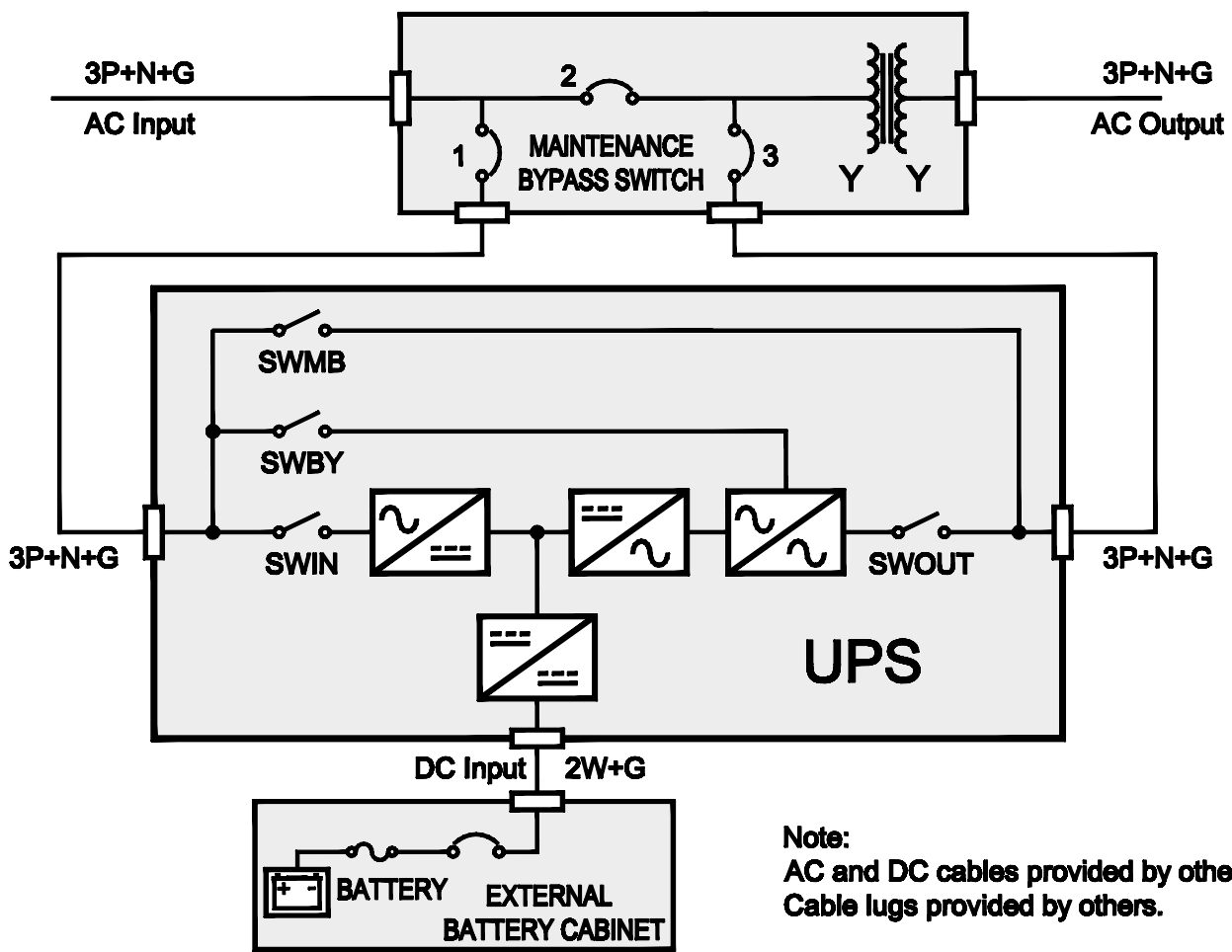


DWG. SIZE A	DWG. NO. SK-2925		
REVISIONS			
SYM.	E.C.O.	DATE	APVD.



Note:
 AC and DC cables provided by others.
 Cable lugs provided by others.

UNLESS OTHERWISE SPECIFIED. TOLERANCE IS ±			
DECIMALS	HOLES	ANGLES	DRAFT
.XX .010	.005	1°	1-1/2°
.XXX .005			
MATERIAL :		UNITS IN [mm]	
		ALL DIMENSIONS APPLY AFTER PLATING	

TITLE:
**ONE LINE DIAGRAM
 FIRSTLINE P SYSTEM**



The information and design disclosed herein was originated by and is the property of STACO ENERGY PRODUCTS CO., which reserves all patent, proprietary, design, manufacturing, reproduction, use and sale rights thereto, and to any article disclosed therein except to the extent rights are expressly granted to others. The foregoing does not apply to vendor proprietary parts.

DRAWN BY S.A. SMITH	DATE 6/30/01	FIRST USED ON	DO NOT SCALE DWG.
CHECKER	DATE	WEIGHT APPROX.	CAGE CODE 83008
ENGINEER	DATE	SCALE 1/1	SHEET 1 OF 1

DWG. SIZE A	DWG. NO. SK-2925
-----------------------	----------------------------