

- NOTES:
- 80KVA-300KVA 480D-208Y/120V 60HZ DOUBLE SHIELD, K20, TP1, TRANSFORMER.
  - BOTTOM MAIN FEED AND SUB FEEDS.
  - HEAVY GAUGE WELDED STEEL BASE.
  - DURABLE CHIP AND CORROSION RESISTANT POWDER COAT FINISH.
  - REMOVABLE VENTED SKIRT PLATES FOR FRONT PALLET JACK ACCESS.
  - MINIMUM OF 36" OF CLEARANCE REQUIRED ON THE FRONT, LEFT & RIGHT SIDE OF THE ENCLOSURE FOR OPERATION AND MAINTENANCE.
  - A MINIMUM REAR CLEARANCE OF 6" IS REQUIRED FOR OPTIMAL COOLING OF THE EQUIPMENT.

SPECIFICATIONS:

WITHSTAND RATING:-----65 KAIC

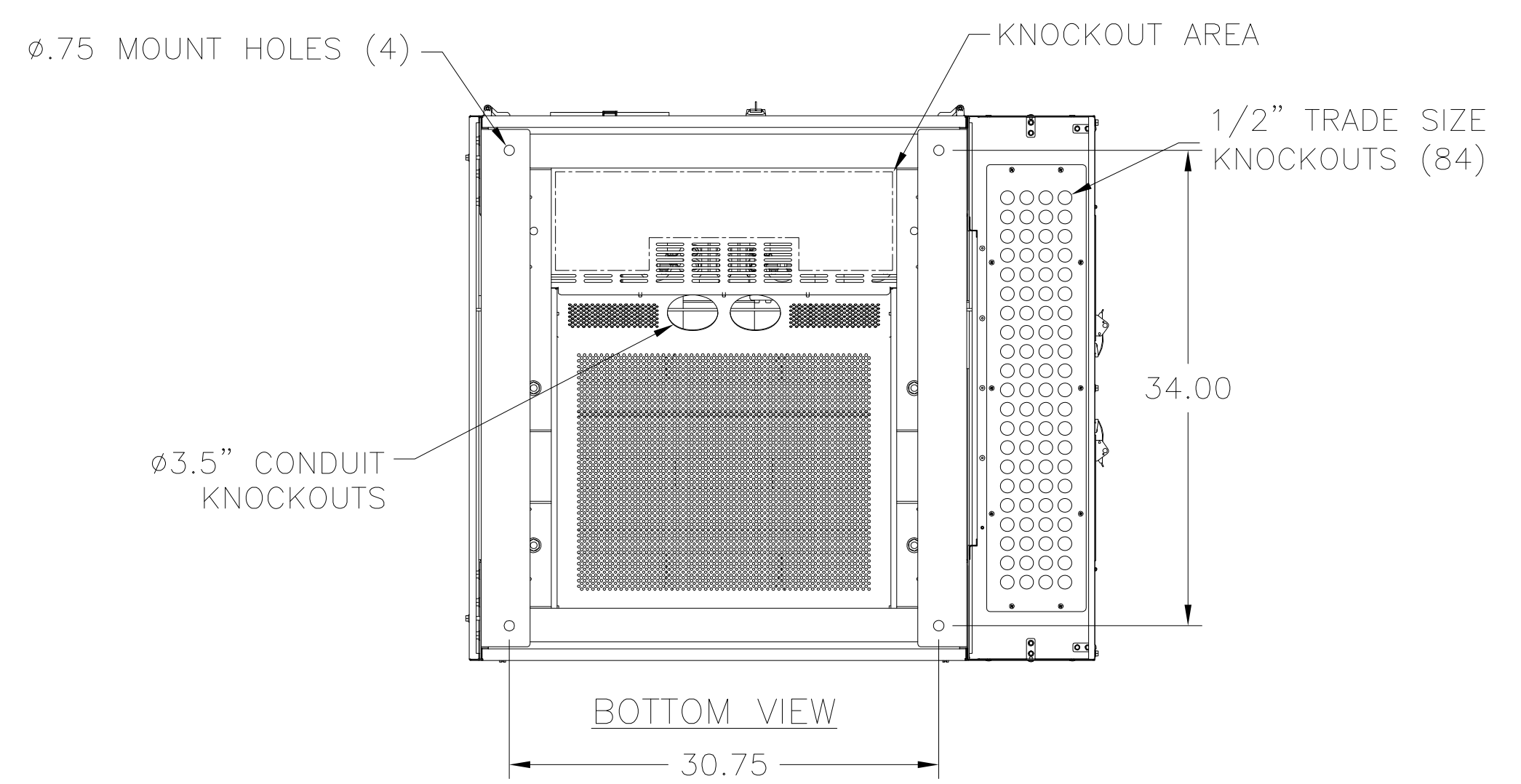
OUTPUT WITHSTAND RATING:-----25 KAIC

DISTRIBUTION:-----225A PANELBOARD

MONITORING-MODEL NUMBER ENDINGS:--"N": NONE

"A": MAIN MONITORING

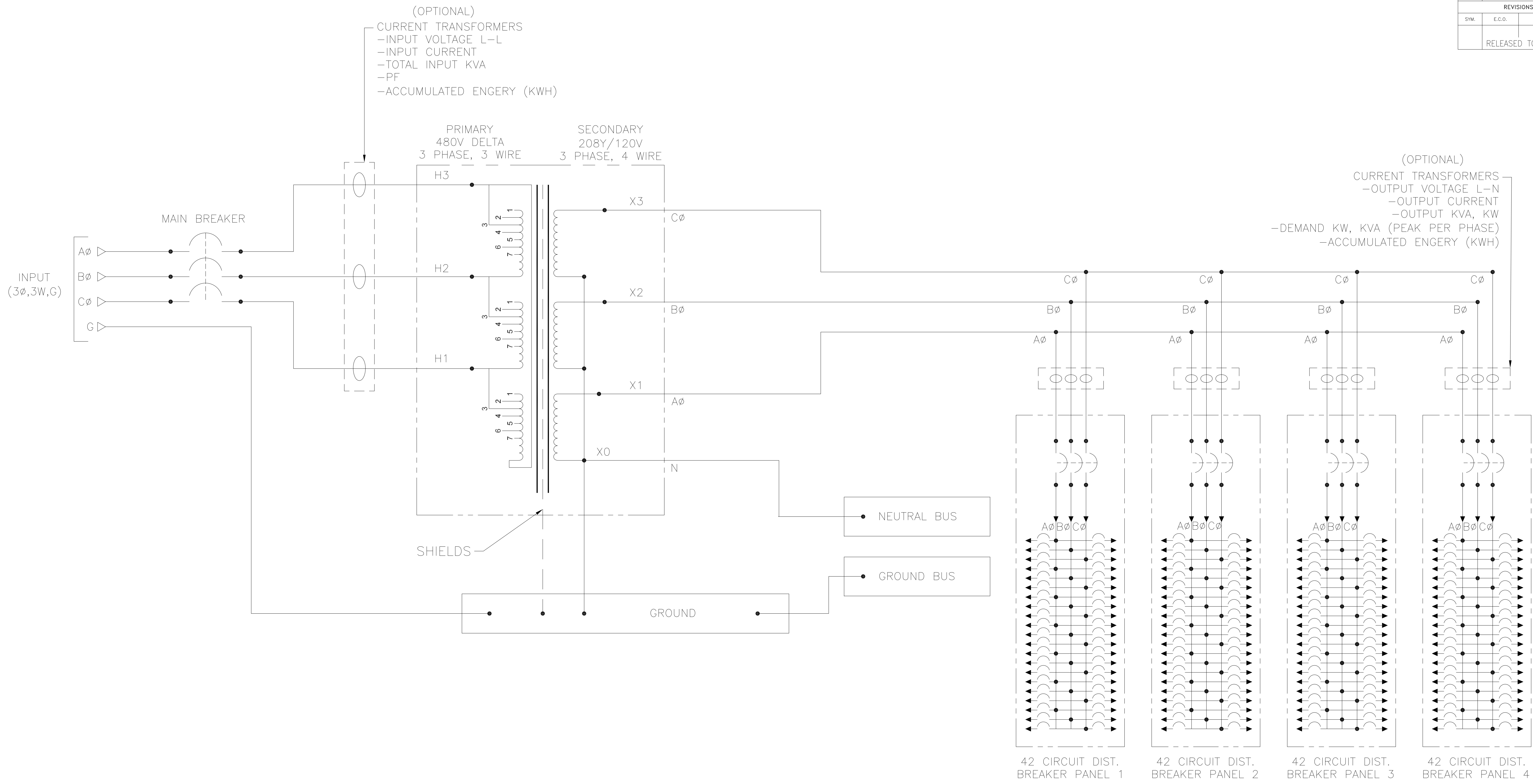
"B": MAIN & BRANCH MONITORING



SPECIFICATION TABLE			
KVA	DISTRIBUTION QUANTITY	TRANSFORMER VOLTAGE	WEIGHT (LBS)
80	3	480/208	1680
	4	480/208	1710
100	3	480/208	2130
	4	480/208	2160
160	3	480/208	2180
	4	480/208	2210
225	3	480/208	2730
	4	480/208	2760
300	3	480/208	3130
	4	480/208	3160

UNLESS OTHERWISE SPECIFIED, TOLERANCE IS ±		UNITS		TITLE: SPEC. CONTROL DRAWING	
DECIMALS	HOLES	ANGLES	DRAFT	FIRSTLINE PDU 3-4 PANEL	
.XX .010	.005	1°	1-1/2°	80-300 KVA	
.XXX .005				DRAWN BY SLB DATE 9/20/17 FIRST USED ON DO NOT SCALE DWG.	
MATERIAL:		ALL DIMENSIONS APPLY AFTER PLATING.		CHECKER S.A.SMITH DATE 9/27/17 WEIGHT APPROX. CASE CODE 83008	
The information and design disclosed herein was originated by and is the property of STACO ENERGY PRODUCTS CO., which reserves all patent, proprietary, design, manufacturing, reproduction, use and sale rights thereto, and to any article disclosed therein except to the extent rights are expressly granted to others. The foregoing does not apply to vendor proprietary parts.		ENGINEER B.FOX DATE 9/27/17 SCALE 1/10 SHEET 1 OF 2		DWG. NO. 092-7105	





UNLESS OTHERWISE SPECIFIED, TOLERANCE IS $\pm$		UNITS		TITLE: SPEC. CONTROL DRAWING		DRAWN BY		DATE		FIRST USED ON		DO NOT SCALE DWG.		<p>A Components Corporation of America Company 301 Gaudin Boulevard Dayton, Ohio 45403 USA</p>	
DECIMALS	HOLES	ANGLES	DRAFT	IN [mm]		SLB	9/20/17								
.XX .010	.005	1 $^{\circ}$	1-1/2 $^{\circ}$			CHECKER	S.A.SMITH	DATE	9/27/17	WEIGHT APPROX.	CAE CODE	83008			
.XXX .005						ENGINEER	B.FOX	DATE	9/27/17	SCALE	1/1	SHEET 2 OF 2			
MATERIAL:				ALL DIMENSIONS APPLY AFTER PLATING.				The information and design disclosed herein was originated by and is the property of STACO ENERGY PRODUCTS CO., which reserves all patent, proprietary, design, manufacturing, reproduction, use and sale rights thereto, and to any article disclosed therein except to the extent rights are expressly granted to others. The foregoing does not apply to vendor proprietary parts.		DWG. NO.		092-7105			